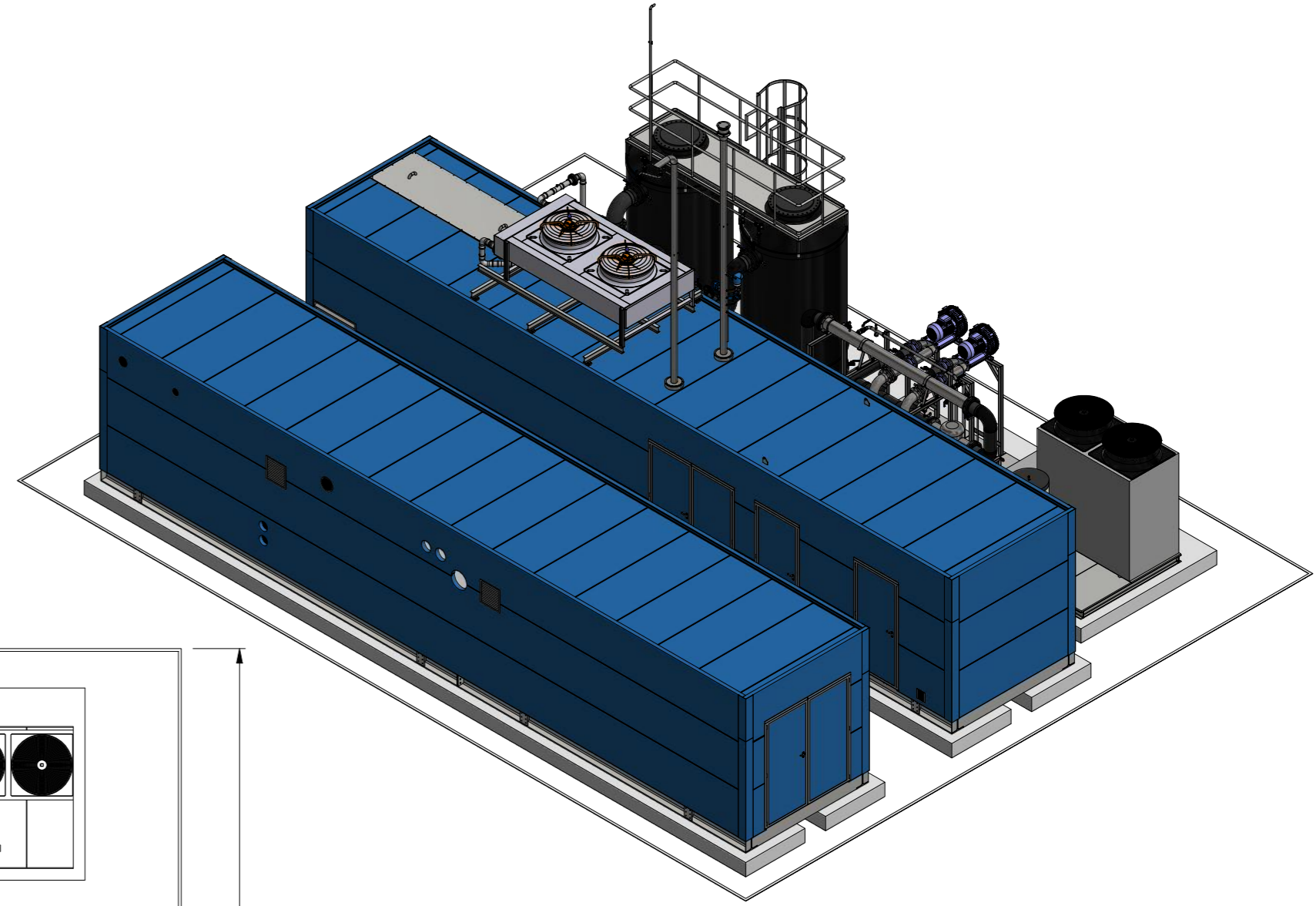
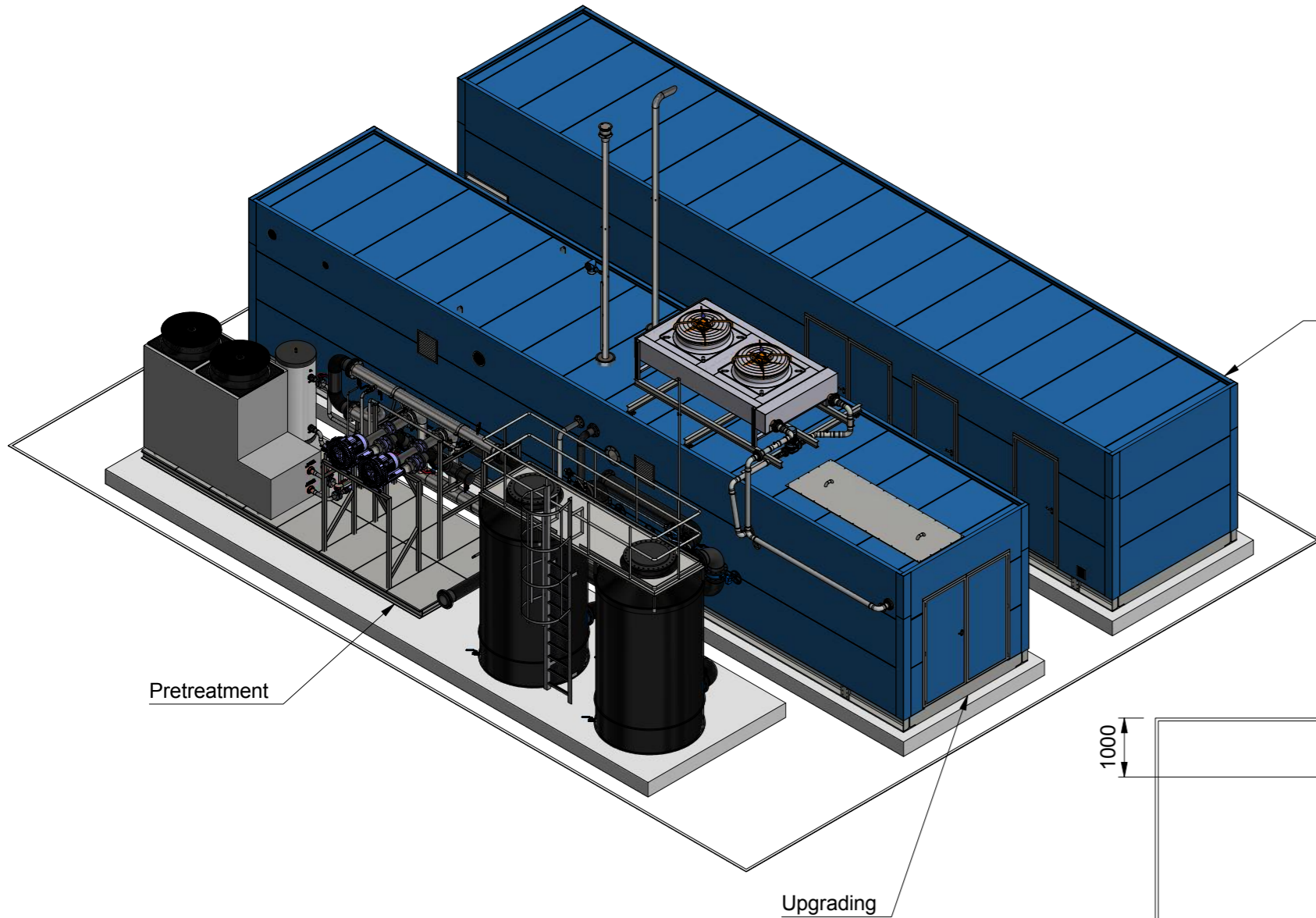
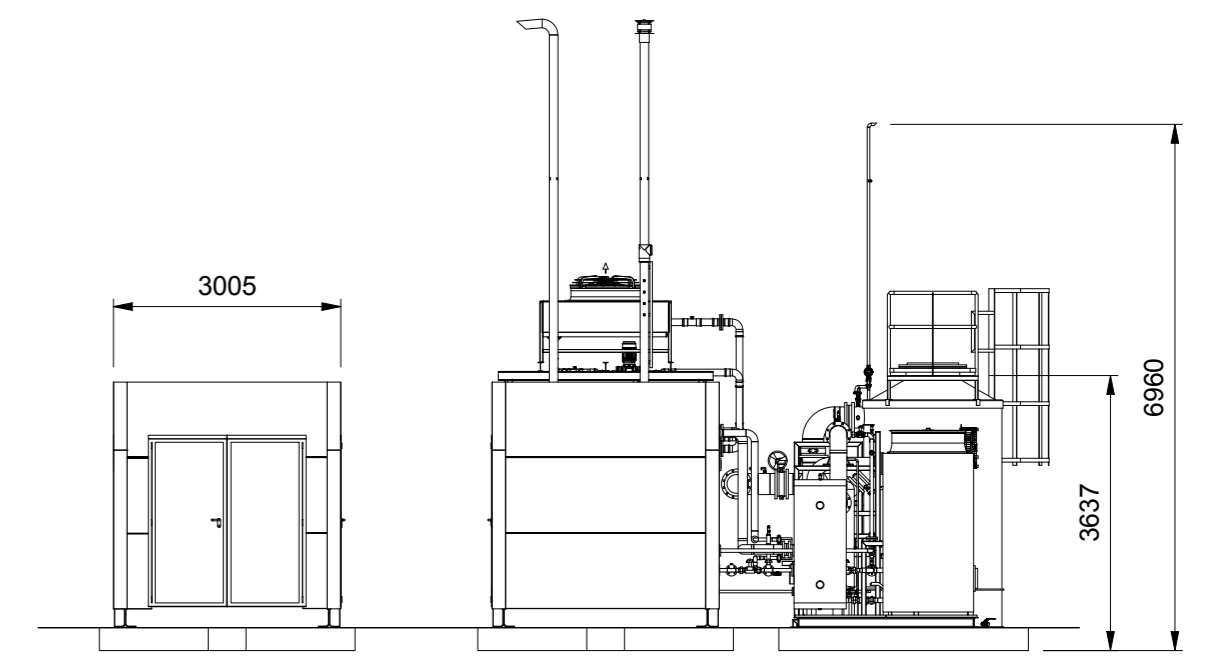
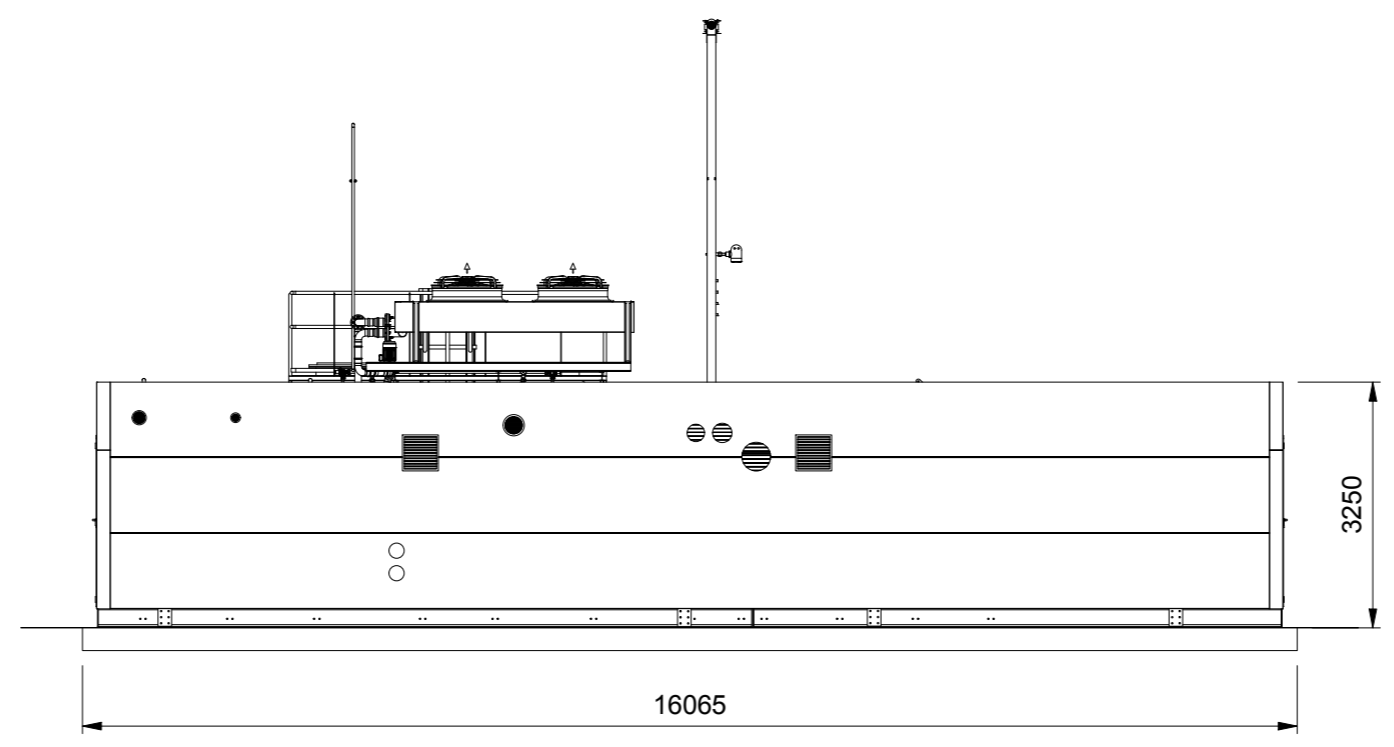
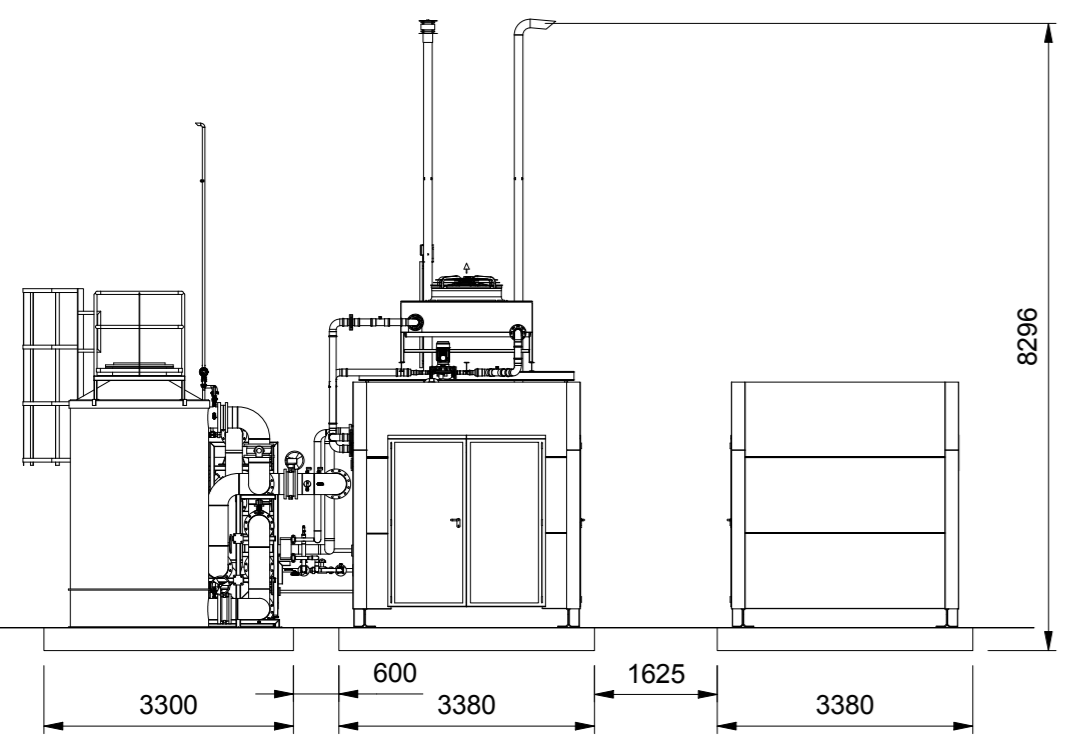
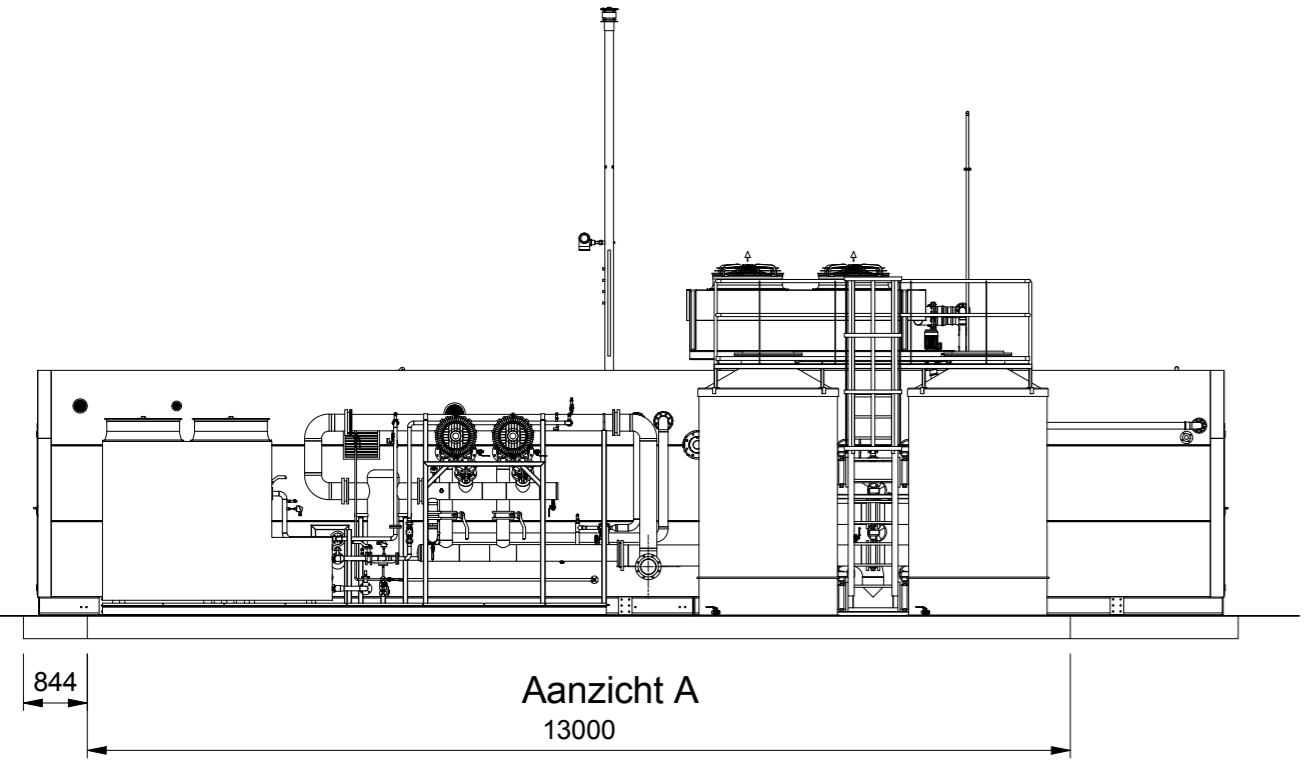
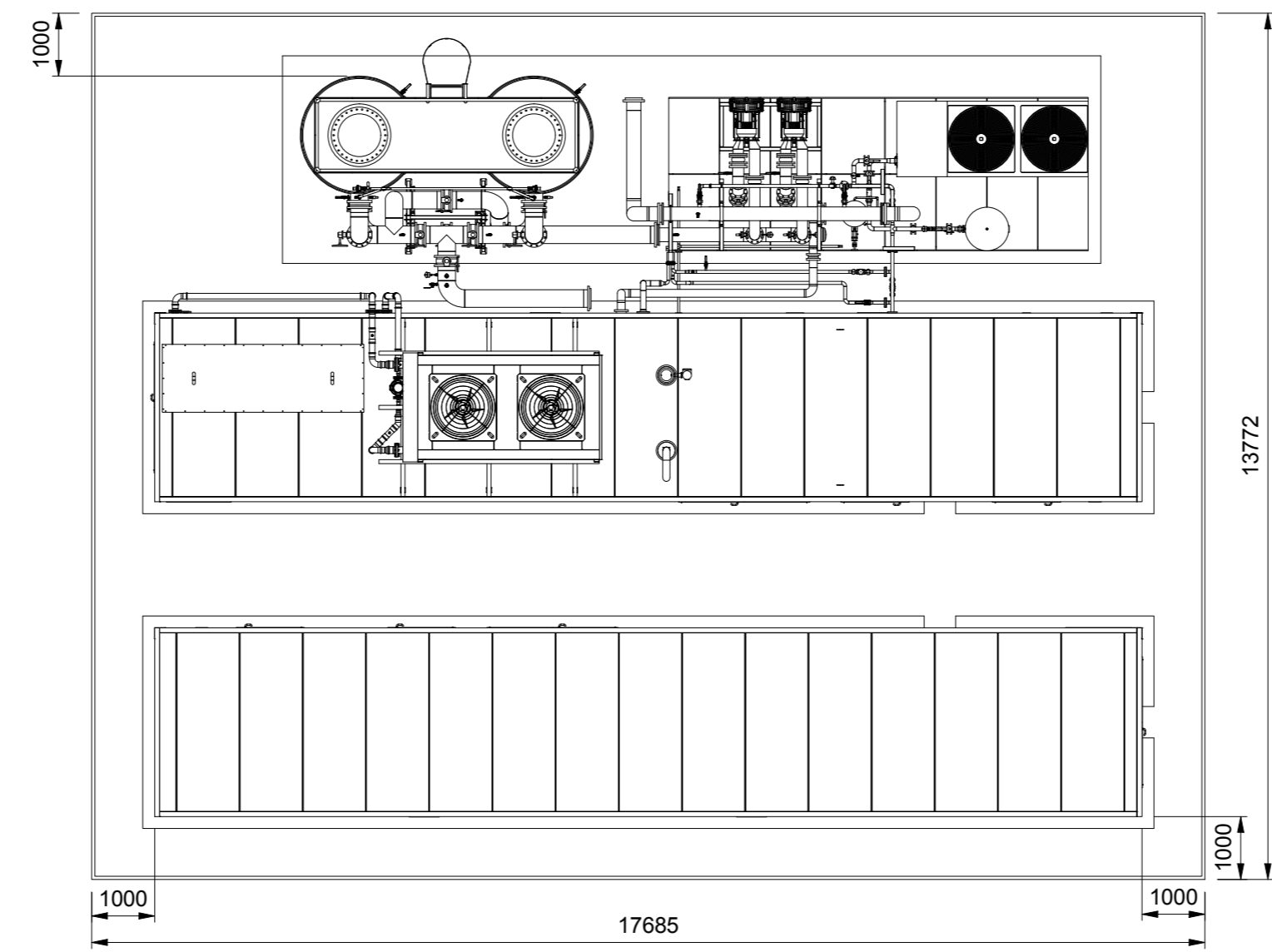


Revision history		Date	Author	Checked by
Rev.	Description			
1.0	First Design	26-6-2019	M.R. Fonk	M. Jobse



A
↓



PRELIMINARY - FOR INFORMATION ONLY

Drawn by:	Status: Preliminary	Title: General Arrangement		Project:	
Checked by:	 DMT Environmental Technology Industrieweg 3 6601 SH, Drie Netherlands	Dwg std: ISO 216	Project no: 1359	Drawing no: 1359-0001	Revision: 1.0
Checked date:		Toll: ISO 2768-1	Scale at A2: 1:100	Units: mm	Third angle projection:
Appr. date:	Client: Green Create				
Creation date: 26-6-2019	Doc type: General arrangement				

© This document is property of DMT Environmental Technology and contains confidential information. This document shall not be disclosed without written permission of DMT Environmental Technology.